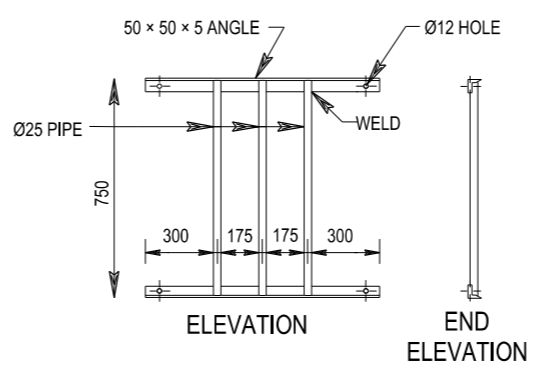



**A1 REINFORCEMENT DETAILS**  
(2 REQUIRED)



**GALVANISED GRATE**  
(REMOVABLE - 2 REQUIRED)

- NOTES**
1. CLEAR COVER TO OUTER FACE OF REINFORCEMENT 50 mm.
  2. CONCRETE GRADE N25.
  3. FOR FURTHER DETAILS OF GRATE, GULLY PITS, INVERT LEVELS AND PIPE DIAMETER SEE CONSTRUCTION PLANS OR STANDARD DRAWINGS.

THIS DRAWING MAY BE PREPARED IN COLOUR AND MAY BE INCOMPLETE IF COPIED

				ALL DIMENSIONS ARE IN MILLIMETRES UNLESS OTHERWISE SHOWN				ISSUED SFR MANAGER ROAD POLICY, SPECIFICATIONS & TECHNOLOGY DATE 20.01.17		<b>STANDARD DRAWING</b> ROAD DESIGN ENGINEERING R0230 STORMWATER DRAINAGE SERIES - BATTER DRAINS PIPE CULVERT IN CUT BATTER - 2 CELL SHEET 1 OF 1		A3
REV	DATE	AMENDMENT / REVISION DESCRIPTION	WVR No.	APPROVAL	SCALES ON A3 SIZE DRAWING	CONTACT DETAILS	PREPARED BY ENGINEERING SERVICES ROAD POLICY, SPECIFICATIONS AND AND TECHNOLOGY		STANDARD DRAWING No. <b>R0230-02</b>		REV.	
						SEND FEEDBACK ON THIS STANDARD DRAWING TO : technologystandards@rms.nsw.gov.au	EDMS No. DS2014/005875		ORIGINAL ISSUE DATE JANUARY 2017			