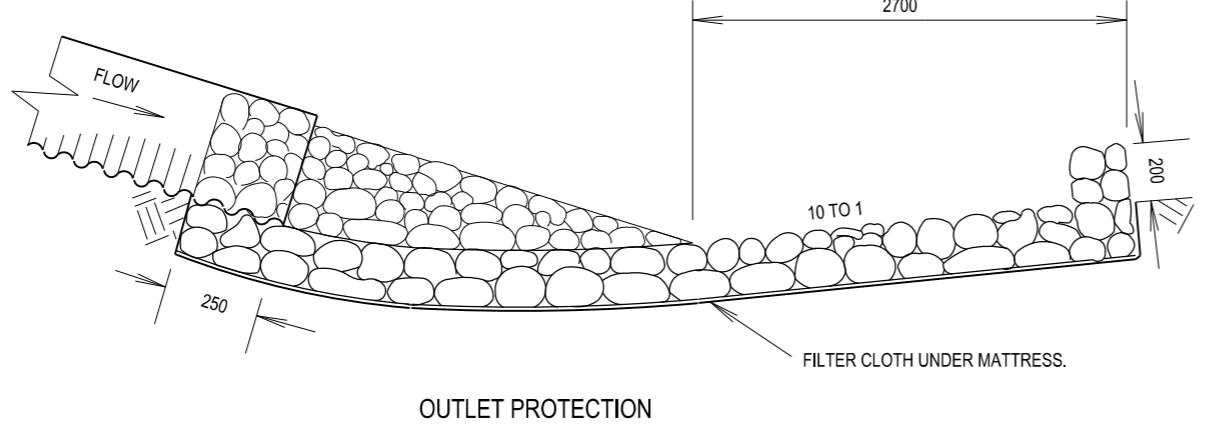
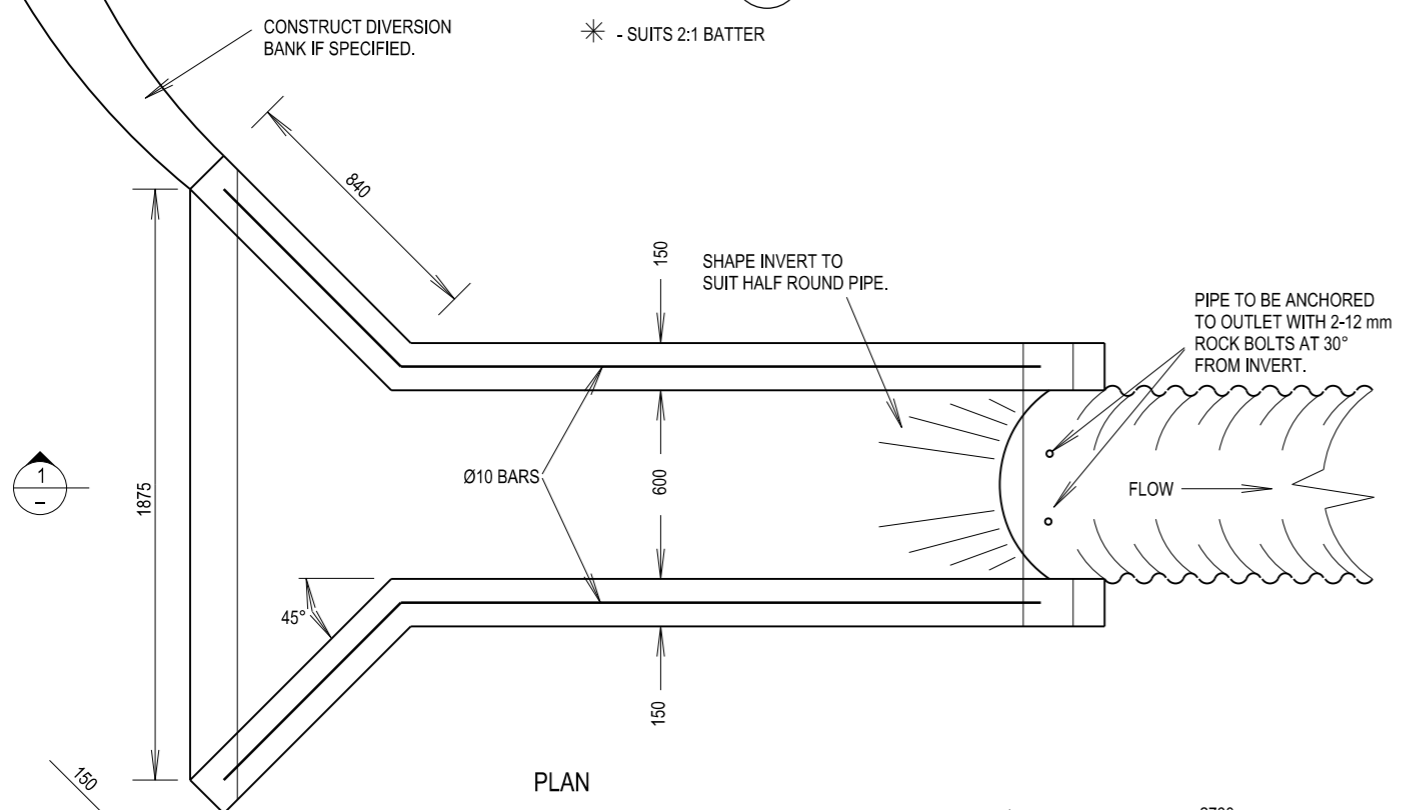
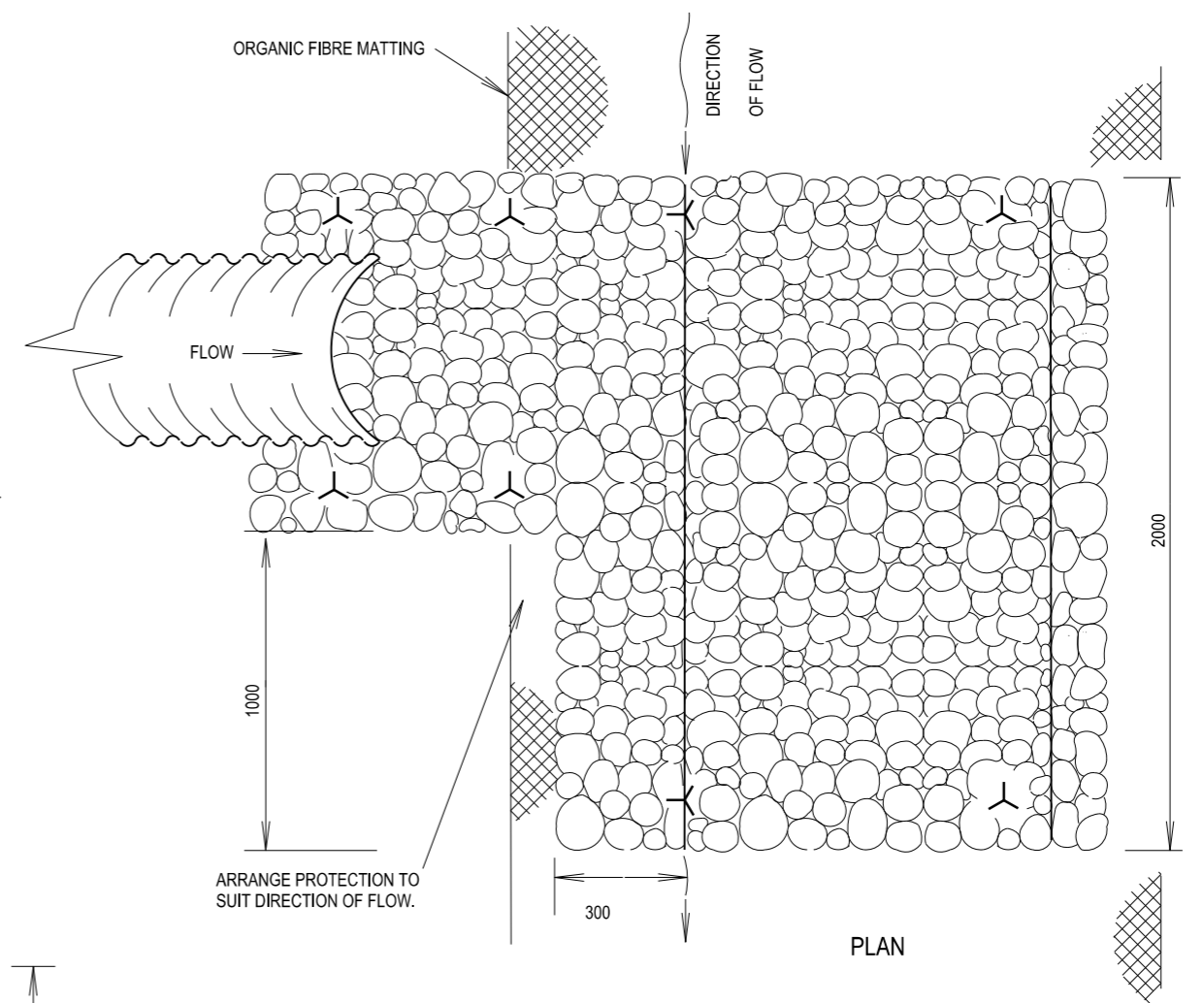
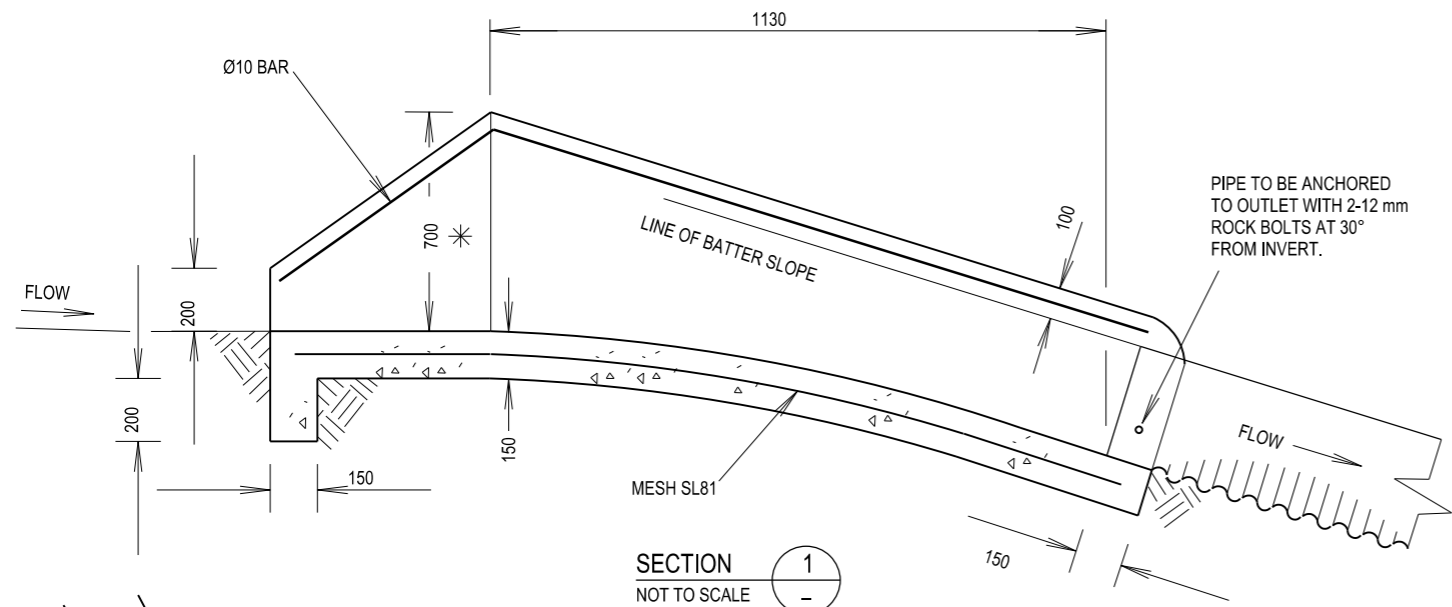


THIS DRAWING MAY BE PREPARED IN COLOUR AND MAY BE INCOMPLETE IF COPIED
50mm ON A3 SIZE ORIGINAL



- NOTES**
1. CONCRETE STRENGTH N25.
 2. OUTLET PROTECTION- ROCK MATTRESS TO BE PEGGED WITH 1350 STAR PICKETS, SHOWN:
 3. CONCRETE QUANTITY = 0.4 m³

QR CODE	SCAN TO CHECK DOCUMENT VER.	REV	DATE	AMENDMENT / REVISION DESCRIPTION	WVR No.	APPROVAL	ALL DIMENSIONS ARE IN MILLIMETRES UNLESS OTHERWISE SHOWN	CONTACT DETAILS	ISSUED	STANDARD DRAWING No.	REV.
							SCALES ON A3 SIZE DRAWING	SEND FEEDBACK ON THIS STANDARD DRAWING TO : technologystandards@rms.nsw.gov.au	SFR	R0230-04	-
							MANAGER ROAD POLICY, SPECIFICATIONS & TECHNOLOGY	DATE 20.01.17	PREPARED BY ENGINEERING SERVICES ROAD POLICY, SPECIFICATIONS AND AND TECHNOLOGY	EDMS No. DS2014/005877	ORIGINAL ISSUE DATE JANUARY 2017



STANDARD DRAWING
ROAD DESIGN ENGINEERING
R0230 STORMWATER DRAINAGE SERIES - BATTER DRAINS
CURRUGATED STEEL PIPE BATTER UNIT FOR
BERM DRAINAGE PBD TYPE 2
SHEET 1 OF 1