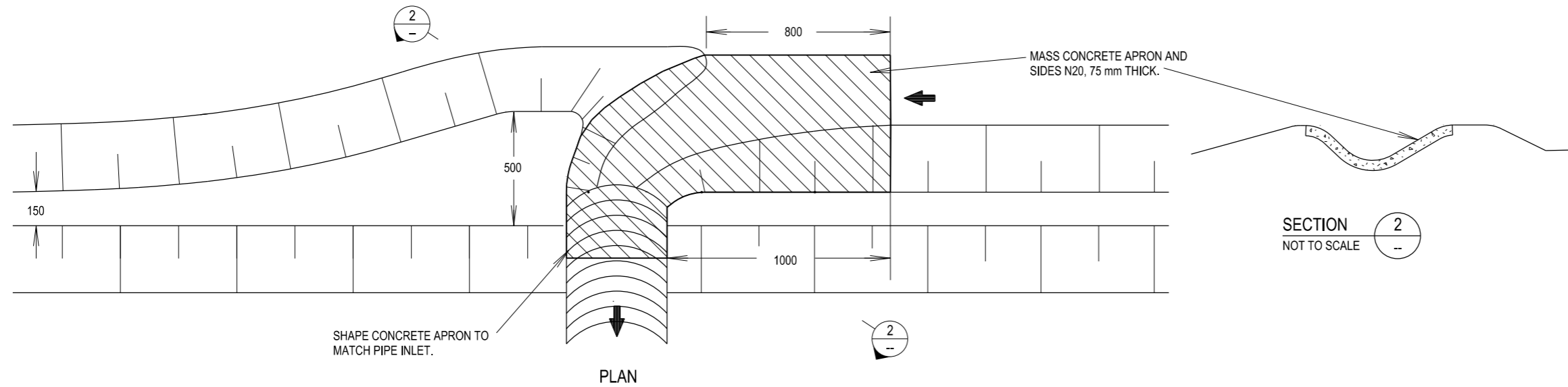
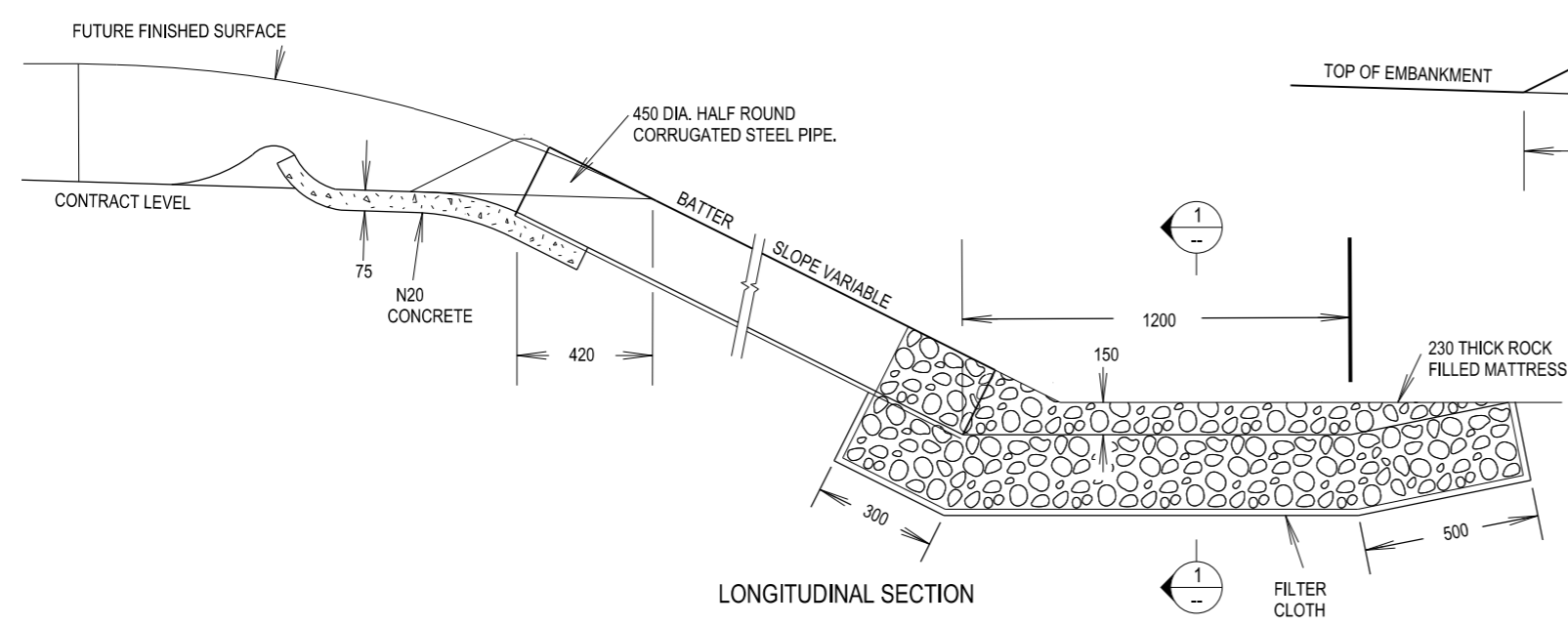


THIS DRAWING MAY BE PREPARED IN COLOUR AND MAY BE INCOMPLETE IF COPIED

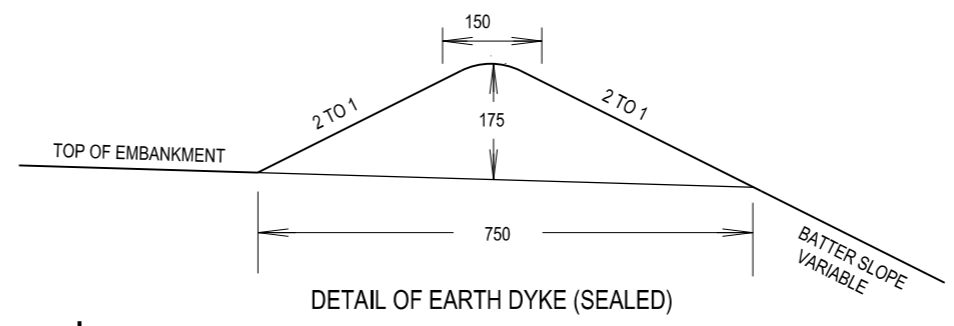
50mm ON A3 SIZE ORIGINAL



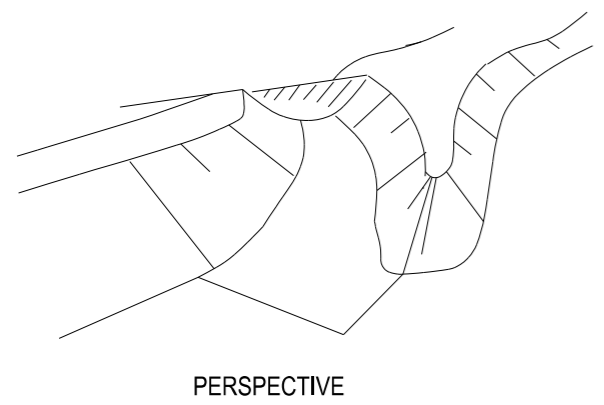
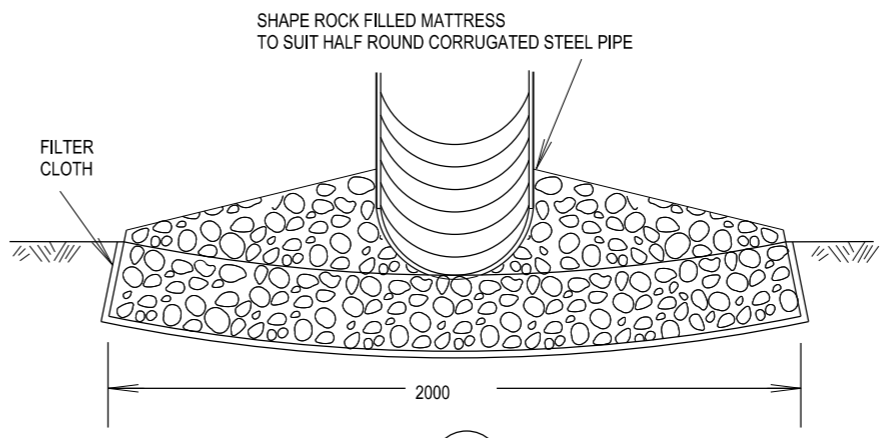
SECTION 2
NOT TO SCALE





SECTION 1



SECTION 1



- NOTES**
1. TOP LIP OF HALF ROUND CORRUGATED STEEL PIPE TO BE INSTALLED FLUSH WITH THE COMPACTED BATTER SURFACE.
 2. ROCK FILLED MATTRESS TO BE PEGGED AT EACH CORNER WITH A 1350 mm STAR PICKET.
 3. HALF ROUND CORRUGATED STEEL PIPE TO BE FASTENED WITH 8 GAUGE WIRE TO TWO 1350 mm STAR PICKETS AT BOTH INLET AND OUTLET ENDS OF PIPE.

			REV DATE AMENDMENT / REVISION DESCRIPTION		WVR No. APPROVAL	ALL DIMENSIONS ARE IN MILLIMETRES UNLESS OTHERWISE SHOWN		CONTACT DETAILS SEND FEEDBACK ON THIS STANDARD DRAWING TO : technologystandards@rms.nsw.gov.au		ISSUED SFR MANAGER ROAD POLICY, SPECIFICATIONS & TECHNOLOGY DATE 20.01.17	 Transport Roads & Maritime Services	STANDARD DRAWING ROAD DESIGN ENGINEERING R0230 STORMWATER DRAINAGE SERIES - BATTER DRAINS EARTH DYKE OUTLET WITH BATTER DRAIN SHEET 1 OF 1		A3
											STANDARD DRAWING No. R0230-05		REV. -	
											STATUS ISSUED		ORIGINAL ISSUE DATE JANUARY 2017	
											EDMS No. DS2014/005878		© Roads and Maritime Services	