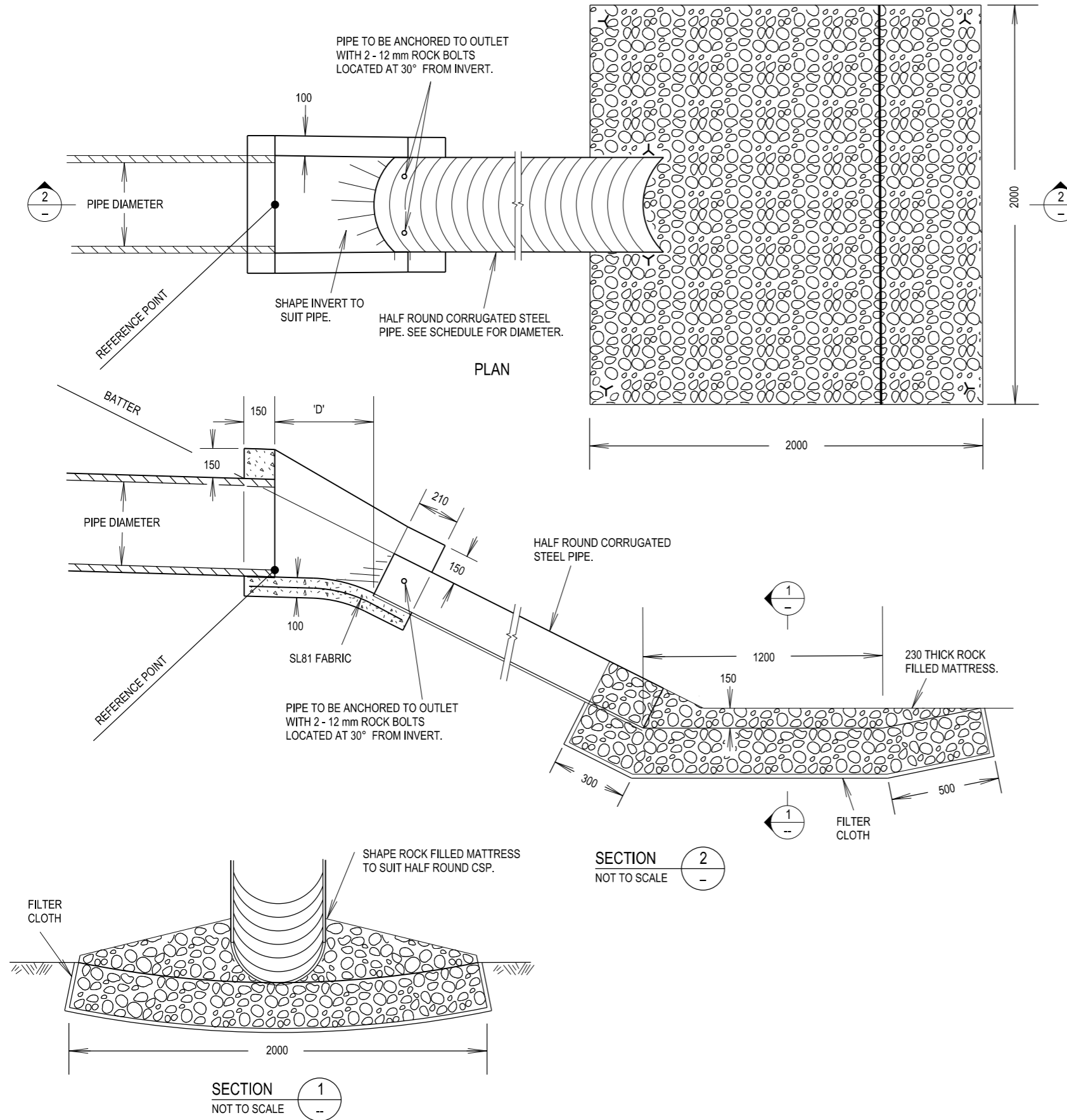



SCHEDULE

PIPE DIAMETER	HALF ROUND CSP DIAMETER #	'D'	CONCRETE QUANTITY m <sup>3</sup>
300	300	400	0.12
375	375	500	0.16
450	450	600	0.21
525	600	600	0.25
600	600	800	0.31
750	750	950	0.42
900	900	1 100	0.55

# DESIRABLE MINIMUM ONLY.  
REFER TO DRAINAGE PLAN FOR ACTUAL DIAMETER.




NOTES

1. TOP LIP OF HALF ROUND CORRUGATED STEEL PIPE TO BE INSTALLED FLUSH WITH THE COMPACTED BATTER SURFACE.
2. ROCK FILLED MATTRESS TO BE PEGGED AT EACH CORNER WITH A 1350 mm STAR PICKET.
3. HALF ROUND CORRUGATED STEEL PIPE TO BE FASTENED WITH 4 mm WIRE TO TWO 1350 mm STAR PICKETS AT LOWER END OF CORRUGATED STEEL PIPE (CSP).
4. 1350 mm STAR PICKETS TO BE PROVIDED AT POINTS MARKED  (FOR FASTENING PURPOSES).
5. CONCRETE STRENGTH TO BE N25.

THIS DRAWING MAY BE PREPARED IN COLOUR AND MAY BE INCOMPLETE IF COPIED

50mm ON A3 SIZE ORIGINAL

QR CODE	SCAN TO CHECK DOCUMENT VER.	REV	DATE	AMENDMENT / REVISION DESCRIPTION	WVR No.	APPROVAL	ALL DIMENSIONS ARE IN MILLIMETRES UNLESS OTHERWISE SHOWN	CONTACT DETAILS	ISSUED	STANDARD DRAWING No.	REV.
							SCALES ON A3 SIZE DRAWING	SEND FEEDBACK ON THIS STANDARD DRAWING TO : technologystandards@rms.nsw.gov.au	SFR	R0230-06	-
								MANAGER ROAD POLICY, SPECIFICATIONS & TECHNOLOGY	PREPARED BY ENGINEERING SERVICES ROAD POLICY, SPECIFICATIONS AND AND TECHNOLOGY	STANDARD DRAWING No. R0230-06	ORIGINAL ISSUE DATE JANUARY 2017
								DATE 20.01.17	EDMS No. DS2014/005879		© Roads and Maritime Services



STANDARD DRAWING  
ROAD DESIGN ENGINEERING  
R0230 STORMWATER DRAINAGE SERIES - BATTER DRAINS  
PIPE HEAD DRAIN AND CORRUGATED STEEL PIPE  
BATTER DRAIN  
SHEET 1 OF 1

A3