

## **Class 1 Special Purpose Vehicles Notice 2014**

### **APPENDIX 1**

A vehicle to which the *Class 1 Special Purpose Vehicles Notice 2014* applies, must comply with the applicable conditions of *Schedule 2 to the Road Transport (Mass, Loading and Access) Regulation 2005*, which are set out in this Appendix.

#### **PART 1 - DIMENSION LIMITS**

##### **1.1 Minimising Load**

1.1.1 Any flags, lights or mirrors required on a vehicle, combination or load must be disregarded when measuring the dimensions of a vehicle or combination for the purposes of the dimension limits allowed pursuant to the Notice.

*(Clause 2(2), Schedule 2 Road Transport (Mass, Loading and Access) Regulation 2005)*

1.1.2 When a vehicle is operating without a load, it must be reduced to the smallest practicable dimensions, with any booms fully retracted.

*(Clause 3, Schedule 2 Road Transport (Mass, Loading and Access) Regulation 2005)*

#### **PART 2 – WARNING DEVICES**

##### **2.1 Warning devices for oversize vehicles**

*(Clause 4, Schedule 2 Road Transport (Mass, Loading and Access) Regulation 2005)*

2.1.1 A vehicle or combination, together with any load, that is wider than 2.5 m, or longer than 25 m, must have:

- (a) one warning sign at its front, and
- (b) one warning sign at its rear or, if it is carrying a rear-projecting load, at the rear of the load, and
- (c) 4 brightly coloured red, yellow, or red and yellow, flags, each at least 450 mm long and at least 450 mm wide.

2.1.2 One of the flags must be positioned:

- (a) Each side of the front and rear of any projecting load, or
- (b) When there is no projecting load, at each side of the front and rear of the vehicle or combination.

2.1.3 An oversize vehicle or combination, together with any load, is not wider than 2.5 m, and whose length is more than 22 m but not more than 25 m, must have one warning sign at its rear or, if it is carrying a rear-projecting load, at the rear of the load.

2.1.4 Subclauses 2.1.1, 2.1.2, and 2.1.3 do not apply to:

- (a) A road construction vehicle or combination travelling within 1 km of a construction site, if the vehicle has a warning light, or
- (b) A tractor, or
- (c) A rigid mobile crane less than 3.1 m wide.

2.1.5 If a load projects more than 150 mm beyond one side of an oversize vehicle or combination, and the projection is less than 500 mm thick from top to bottom, there must be:

- (a) A warning light attached to the vehicle or combination, and
- (b) At least two yellow, rigid pieces of material (in this clause called **delineators**), one attached to the front and the other attached to the rear of the projection.

**NOTE:** If the load projects more than 150 mm beyond both sides of the vehicle there must be at least 4 delineators—at least one on each side at the front and at least one on each side at the rear.

2.1.6 A delineator must:

- (a) Be at least 300 mm long and at least 300 mm wide, and
- (b) Comply with Class 1 or 2 of Australian/New Zealand Standard AS/NZS 1906. One:1993, *Retro-reflective materials and devices for road control purposes*, as amended and in force at the commencement of this Regulation, and if
  - (i) at the front of the projection, be attached so that its reflective surface is facing forward of the vehicle, and
  - (ii) at the rear of the projection, be attached so that its reflective surface is facing rearward from the vehicle.

2.1.7 In the daytime, an oversize vehicle or combination must display a warning light if the vehicle, together with any load, is wider than 3 m.

## 2.2 Additional warning devices at night

*(Clause 5, Schedule 2 Road Transport (Mass, Loading and Access) Regulation 2005)*

2.2.1 At night, an oversize vehicle or combination must display:

- (a) Lights showing yellow to the front and red to the rear (known as **side markers**) no more than 2 m apart along both sides of the vehicle and along any front or rear projection, and
- (b) Two red lights (known as **rear markers**) fixed to the rear of any rear-projecting load, within 400 mm of each side of the load, and at least 1 m but not more than 2.1 m above the ground, and
- (c) A warning light if the vehicle or combination, together with any load, is wider than 2.5 m or longer than 22 m.

## 2.3 Headlights

*(Clause 6, Schedule 2 Road Transport (Mass, Loading and Access) Regulation 2005)*

An oversize vehicle, or the front vehicle in an oversize combination, must have its low-beam headlights on while travelling in the daytime, unless it is not required under the *Road Transport (Vehicle Registration) Regulation 2007* to have headlights.

## 2.4 Side lights for travel at night

*(Clause 19, Schedule 2 Road Transport (Mass, Loading and Access) Regulation 2005)*

2.4.1 When travelling at night, a Special Purpose Vehicle with a projection extending more than 1.2 m in front of the vehicle body, must have a yellow light fixed on each side of the projection, mounted as far forward as possible, and shielded from the driver's view.

2.4.2 Both lights must be visible to any traffic approaching the vehicle from its front, and at least one of the lights must be visible to any traffic approaching the vehicle from either side.

## 2.5 Markings for Special Purpose Vehicles

*(Clause 20, Schedule 2 Road Transport (Mass, Loading and Access) Regulation 2005)*

2.5.1 Rear marker plates complying with ADR 13/00, must be displayed at the rearmost part of the body of a special purpose vehicle.

2.5.2 A pattern covering an area of at least 0.16 square metres and consisting of diagonal stripes at least 150 mm wide and alternately coloured:

- (a) Red and white, or

- (b) Black and white.

They must be displayed on the left and right sides of any rigid projection extending more than 1.2 m in front of the body of a special purpose vehicle, if it is practicable to do so.

### **PART 3 - TRAVEL RESTRICTIONS**

#### **3.1 No travelling if low visibility**

*(Clause 8, Schedule 2 Road Transport (Mass, Loading and Access) Regulation 2005)*

3.1.1 A vehicle or combination must not begin to travel if, due to circumstances such as fog, heavy rain, smoke, dust or insect plague:

- (a) Visibility is less than 250 m in the daytime, or
- (b) The headlights of a vehicle approaching within 250 m could not be seen at night.

3.1.2 If a vehicle or combination is already travelling when visibility is reduced to the level described in 3.1.1, the driver must drive it into the nearest safe parking area, and wait until visibility improves beyond that level before continuing to travel.

#### **3.2 Minimum following distance**

*(Clause 9, Schedule 2 Road Transport (Mass, Loading and Access) Regulation 2005)*

A person driving an oversize vehicle or combination must maintain a distance of at least 200 m from an oversize vehicle or combination travelling in front of it, unless:

- (a) It is overtaking the front one, or the front one is stopping, or
- (b) There is a separate lane available for the use of overtaking traffic, or
- (c) It is in an urban area and it is not reasonably practicable to maintain a distance of 200 m.

#### **3.3 Assessing routes**

*(Clause 10, Schedule 2 Road Transport (Mass, Loading and Access) Regulation 2005)*

3.3.1 Before a vehicle or combination is driven along any route, its driver and owner must be satisfied that the route has been assessed and that the vehicle or combination can be driven along it without contravening subclause (3.3.2).

3.3.2 A vehicle or combination must not be driven along a route if to do so would be likely to cause:

- (a) Disruption to telecommunication, electricity, rail, gas, water or sewage services, or
- (b) Damage to a road (including a bridge), structure, rail crossing or tree.

3.3.3 Subclause (3.3.2) does not apply if the authority responsible for the services or property has given permission for the vehicle or combination to travel along the route, and the vehicle or combination is driven in accordance with the permission.

#### **3.4 Prohibition on towing other vehicles**

*(Clause 21, Schedule 2 Road Transport (Mass, Loading and Access) Regulation 2005)*

A Special Purpose Vehicle must not tow a vehicle.

## **PART 4 - PILOT AND ESCORT VEHICLES**

*(Part 5, Schedule 2 Road Transport (Mass, Loading and Access) Regulation 2005)*

### **4.1 Requirements for a pilot vehicle**

4.1.1 A pilot vehicle must have 4 or more wheels and a GVM of:

- (a) 6.5 tonnes or less in the case of a rear pilot vehicle if two pilot vehicles are required, or
- (b) 4.5 tonnes or less in any other case.

4.1.2 A pilot vehicle must have a warning sign on its roof.

4.1.3 A pilot vehicle must only have a warning light attached:

- (a) Above or below the sign, or
- (b) At each side of the sign.

### **4.2 Requirements for an escort vehicle**

4.2.1 An escort vehicle other than a police motor cycle must have:

- (a) 4 or more wheels, and
- (b) A GVM of 4.5 tonnes or less, and
- (c) On its roof a light that flashes or 2 lights that flash when switched on.

4.2.2 A light referred to in 4.2.1 must flash yellow unless the vehicle is a police vehicle or a vehicle belonging to an Authority and the light is of a colour approved under Schedule 2 to the *Road Transport (Vehicle Registration) Regulation 2007*.

### **4.3 Headlights on a pilot or escort vehicle**

The low-beam headlights on a pilot vehicle or escort vehicle must be switched on when it is accompanying an oversize vehicle or combination during the daytime.

### **4.4 What may a pilot or escort vehicle carry?**

A pilot or escort vehicle must not tow a trailer or carry a load, but it may carry tools, equipment or substances for use in connection with the oversize vehicle or combination that it is accompanying or for restraining the load on that vehicle or combination.

### **4.5 Where must a pilot vehicle be driven?**

4.5.1 When 1 pilot vehicle accompanies an oversize vehicle or combination, the pilot vehicle must travel:

- (a) Behind the oversize vehicle or combination if they are on a divided road, or
- (b) In front of the oversize vehicle or combination if they are on a road that is not divided.

4.5.2 When 2 pilot vehicles accompany an oversize vehicle or combination, one pilot vehicle must travel in front of the oversize vehicle or combination, and the other behind it.

4.5.3 A pilot vehicle must travel far enough away from the oversize vehicle or combination it is accompanying to give adequate warning to other road users of the presence of the oversize vehicle or combination, taking into account traffic speed, weather, visibility and other driving conditions.

### **4.6 Communication between drivers**

4.6.1 An oversize vehicle or combination and any accompanying pilot or escort vehicle must have an electronic device that allows the drivers to communicate effectively with each other.

4.6.2 Subclause 4.6.1 does not apply to:

- (a) An oversize agricultural machine, or
- (b) An oversize combination that includes an agricultural machine, or
- (c) An escort vehicle that is a police vehicle.

## **PART 5 - WARNING LIGHTS**

### **5.1 Characteristics of warning lights**

When switched on, a warning light on an oversize vehicle or combination or pilot vehicle must:

- (a) Emit a rotating, flashing, yellow coloured light, and
- (b) Flash between 120 and 200 times a minute, and
- (c) Have a power of at least-
  - (i) if LED technology is used – 25 watts; or
  - (ii) if another technology is used - 55 watts, and
- (d) Not be a strobe light.

### **5.2 Visibility of warning lights**

5.2.1 A warning light on an oversize vehicle or combination or a pilot or escort vehicle must be:

- (a) Clearly visible at a distance of 500 m in all directions, or
- (b) Supplemented by one or more additional warning lights so that the light emanating from at least one of them is clearly visible at a distance of 500 m in any direction.

5.2.2 Despite subclause 5.2.1, in the case of a pilot vehicle travelling in front of an oversize vehicle or combination, a filter may be placed behind the warning light on the pilot vehicle, to reduce the intensity of the light directed to the driver of the oversize vehicle or combination.

### **5.3 Warning lights to be on if required, and off if not**

5.3.1 Any warning light which an oversize vehicle or combination is required to have must only be switched on when the vehicle or combination is travelling or is stationary in a position that is likely to cause danger to other road users.

5.3.2 Any warning light which a pilot or escort vehicle is required to have must be switched on when the vehicle is travelling and accompanying an oversize vehicle or combination.

5.3.3 If a vehicle or combination is not required under this Regulation to have a warning light, it must not have one that is switched on.

## **PART 6 - WARNING SIGNS**

*(Part 7, Schedule 2 Road Transport (Mass, Loading and Access) Regulation 2005)*

### **6.1 What specifications must a warning sign comply with?**

A warning sign must comply with the specifications in this Part (6) if it is an oversize Special Purpose Vehicle or Combination or a pilot vehicle.

### **6.2 Face of a warning sign**

6.2.1 The face of a warning sign must have a yellow surface that complies with Class 1 or 2 of Australian/New Zealand Standard AS/NZS 1906.1:1993, *Retro-reflective materials and devices for road control purposes*, as amended and in force at the commencement of this Regulation, Parts 1–4 (inclusive).

- 6.2.2 The face of the warning sign must have a black border at least 20 mm wide.
- 6.2.3 The outermost edge of the border must be set at least 10 mm in from the edge of the sign unless the sign has been made with a box edge.
- 6.2.4 The warning sign must display the sign manufacturer's name or logo, and the brand and class of retro-reflective material used, in block letters not more than 10 mm high.
- 6.2.5 The marking may appear in any visible location on the sign, except in a bottom corner of a sign used on a pilot vehicle.

### **6.3 Material for a warning sign**

- 6.3.1 A warning sign must be made of stiff, flat, weatherproof material.

**NOTE:** Zinalume at least 0.8 mm thick and aluminium at least 1.6 mm thick are examples of material that would comply with 6.3.1.

- 6.3.2 Despite 6.3.1, a warning sign may be made of a flexible material if the sign is mounted in such a way that it is held taut and unlikely to furl, become dislodged from its position or otherwise become difficult to read by other road users.
- 6.3.3 A flexible warning sign must comply with all other requirements of this Part as if it were a stiff sign.
- 6.3.4 A warning sign must be kept in such a condition that its message can be easily read by other road users.

### **6.4 Keeping signs clean**

A warning sign on a vehicle must be kept clean enough so that it can be easily read by other road users.

### **6.5 Warning sign must not be displayed if not required**

A warning sign must not be displayed on a vehicle or combination that is not operating oversize or as a pilot vehicle.

## **PART 7 - OVERSIZE VEHICLES ONLY**

*(Division 3, Schedule 2 Road Transport (Mass, Loading and Access) Regulation 2005)*

### **7.1 Size of a warning sign**

- 7.1.1 A warning sign on an oversize vehicle or combination must be at least 1200 mm long and at least 450 mm high.
- 7.1.2 The sign may be split into two parts, in which case the combined length of its parts must be at least 1200 mm.

### **7.2 Face of a warning sign**

- 7.2.1 A warning sign on an oversize vehicle or combination must show the word "OVERSIZE", in black upper-case lettering, conforming with Australian Standard AS 1744—1975, *Forms of letters and numerals for road signs*, in typeface Series C(N) as amended and in force at the commencement of this Regulation.
- 7.2.2 The lettering must be at least 200 mm high.
- 7.2.3 The top and the bottom of the lettering must be at least 125 mm from the top and bottom of the sign, respectively.
- 7.2.4 If the sign is split into two parts:
  - (a) The part mounted on the left must show the letters "OVER" and the part mounted on the right must show the letters "SIZE", and

- (b) There must be no border between the two parts, despite subclauses 7.2.2 and 7.2.3.



**Illustration of a warning sign for an oversize vehicle or combination**

### **7.3 Mounting a warning sign**

7.3.1 A warning sign on an oversize vehicle or combination must be mounted vertically.

7.3.2 The lower edge of the sign must be:

- (a) Above the bottom of the bumper bar, or
- (b) If there is no bumper bar—at least 500 mm from the ground level.

7.3.3 If the sign is split into two parts, each part must be fitted at the same height as the other.

## **PART 8 - PILOT VEHICLES ONLY**

*(Division 4, Schedule 2 Road Transport (Mass, Loading and Access) Regulation 2005)*

### **8.1 Size and shape of a warning sign**

8.1.1 A warning sign on a pilot vehicle must be at least 1200 mm long and at least 600 mm high.

8.1.2 The sign may have bottom corner cut-outs not more than 150 mm wide and not more than 100 mm high if they are needed for mounting the warning lights.

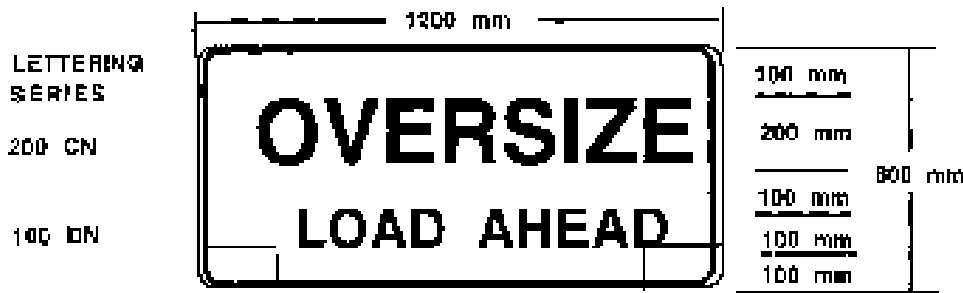
### **8.2 Faces of a warning sign**

8.2.1 Both faces of a warning sign on a pilot vehicle must show:

- (a) The word "OVERSIZE", in black upper-case lettering at least 200 mm high, conforming with Australian Standard AS 1744—1975, *Forms of letters and numerals for road signs*, in typeface Series C(N) as amended and in force at the commencement of this Regulation, and
- (b) The words "LOAD AHEAD", in black upper-case lettering at least 100 mm high, conforming with Australian Standard AS 1744—1975, *Forms of letters and numerals for road signs*, in typeface Series D(N) as amended and in force at the commencement of this Regulation.

8.2.2 The bottom of the lettering of the word "OVERSIZE" must be at least 300 mm from the bottom of the sign.

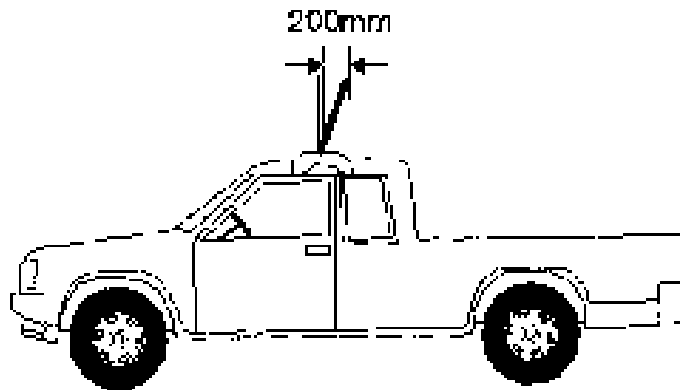
8.2.3 The bottom of the lettering of the words "LOAD AHEAD" must be at least 100 mm from the bottom of the sign.



**Illustration of a warning sign for a pilot vehicle**

### 8.3 Mounting a warning sign

A warning sign on a pilot vehicle must not lean back so that there is more than 200 mm measured horizontally from the top of the sign to a vertical line running through the bottom of the sign.



**Illustration of maximum slant of a warning sign**

## PART - 9 INTERPRETATION

*(Part 8, Schedule 2 Road Transport (Mass, Loading and Access) Regulation 2005)*

### 9.1 References to vehicles and combinations

In this Notice:

- (a) A reference to a vehicle or combination is a reference to a vehicle or combination that is oversize or overmass or both, and
- (b) A reference to an oversize vehicle or oversize combination is a reference to a vehicle or combination that is oversize or oversize and overmass, and
- (c) A reference to an overmass vehicle or combination is a reference to a vehicle or combination that is overmass, or overmass and oversize.

### 9.2 Measuring distances between parallel lines

In this Notice a reference to a distance between 2 lines that are parallel means the distance measured at right angles between the lines.

### 9.3 Application to retractable axles

For the purposes of this Notice, a retractable axle must be taken to be an axle when it is in the lowered position and must be taken not to be an axle when it is in the raised position.



**Table 1: Pilots for Mobile Crane Night Travel (Urban and Regional Zones)**

Width	Length in metres (not exceeding)																
	14.5	15	16	17	18	19	20	21	22	23	24	25	26	27	28	29	30
2.5	0	1	1	1	1	1	1	1	1	1	1	1	1	1	1	1	1
2.6	0	1	1	1	1	1	1	1	1	1	1	1	1	1	1	2	2
2.7	0	1	1	1	1	1	1	1	1	1	1	1	1	2	2	2	2
2.8	0	1	1	1	1	1	1	1	1	1	1	1	2	2	2	2	2
2.9	0	1	1	1	1	1	1	1	1	2	2	2	2	2	2	2	2
3.0	0	1	1	1	1	1	1	1	1	2	2	2	2	2	2	2	2
3.1	0	1	1	1	1	1	1	1	2	2	2	2	2	2	2	2	2
3.2	1	1	1	1	1	1	2	2	2	2	2	2	2	2	2	2	2
3.3	1	1	1	1	1	2	2	2	2	2	2	2	2	2	2	2	2
3.4	1	1	1	2	2	2	2	2	2	2	2	2	2	2	2	2	2
3.5	1	2	2	2	2	2	2	2	2	2	2	2	2	2	2	2	2
3.6	2	2	2	2	2	2	2	2	2	2	2	2	2	2	2	2+E	2+E
3.7	2	2	2	2	2	2	2	2	2	2	2	2	2	2+E	2+E	2+E	2+E
3.8	2	2	2	2	2	2	2	2	2	2	2	2	2+E	2+E	2+E	2+E	2+E
3.9	2	2	2	2	2	2	2	2	2	2	2+E	2+E	2+E	2+E	2+E	2+E	2+E
4.0	2	2	2	2	2	2	2	2	2	2+E	2+E	2+E	2+E	2+E	2+E	2+E	2+E
4.1	2	2	2	2	2	2	2	2	2+E	2+E	2+E	2+E	2+E	2+E	2+E	2+E	2+E
4.2	2	2	2	2	2	2	2+E	2+E	2+E	2+E	2+E	2+E	2+E	2+E	2+E	2+E	2+E
4.3	2	2	2	2	2	2+E	2+E	2+E	2+E	2+E	2+E	2+E	2+E	2+E	2+E	2+E	2+E
4.4	2	2	2	2+E	2+E	2+E	2+E	2+E	2+E	2+E	2+E	2+E	2+E	2+E	2+E	2+E	2+E
4.5	2	2	2+E	2+E	2+E	2+E	2+E	2+E	2+E	2+E	2+E	2+E	2+E	2+E	2+E	2+E	2+E

**LEGEND**

- 0 = NO PILOT REQUIRED
- 1 = ONE (1) PILOT REQUIRED FOR NIGHT TRAVEL
- 2 = TWO (2) PILOTS REQUIRED FOR NIGHT TRAVEL
- 2+E = TWO (2) PILOTS AND POLICE ESCORT REQUIRED FOR NIGHT TRAVEL

**Table 2: Pilots for Special Purpose Vehicles - Night Travel (not mobile cranes).**

Width	Length in metres (not exceeding)																
	19	20	21	22	23	24	25	26	27	28	29	30	31	32	33	34	35
2.5	0	0	0	0	1	1	1	1	1	1	1	1	2+E	2+E	2+E	2+E	2+E
2.6	1	1	1	1	1	1	1	1	1	1	1	2	2+E	2+E	2+E	2+E	2+E
2.7	1	1	1	1	1	1	1	1	1	1	2	2	2+E	2+E	2+E	2+E	2+E
2.8	1	1	1	1	1	1	1	1	1	2	2	2	2+E	2+E	2+E	2+E	2+E
2.9	1	1	1	1	1	1	1	1	2	2	2	2	2+E	2+E	2+E	2+E	2+E
3.0	1	1	1	1	1	1	1	1	2	2	2	2	2+E	2+E	2+E	2+E	2+E
3.1	1	1	1	1	1	1	1	2	2	2	2	2	2+E	2+E	2+E	2+E	2+E
3.2	1	1	1	1	1	1	2	2	2	2	2	2	2+E	2+E	2+E	2+E	2+E
3.3	1	1	1	1	1	2	2	2	2	2	2	2	2+E	2+E	2+E	2+E	2+E
3.4	1	1	1	1	2	2	2	2	2	2	2	2	2+E	2+E	2+E	2+E	2+E
3.5	1	1	1	1	2	2	2	2	2	2	2	2	2+E	2+E	2+E	2+E	2+E
3.6	2	2	2	2	2	2	2	2	2	2	2	2+E	2+E	2+E	2+E	2+E	2+E
3.7	2	2	2	2	2	2	2	2	2	2	2+E	2+E	2+E	2+E	2+E	2+E	2+E
3.8	2	2	2	2	2	2	2	2	2	2+E	2+E	2+E	2+E	2+E	2+E	2+E	2+E
3.9	2	2	2	2	2	2	2	2	2+E	2+E	2+E	2+E	2+E	2+E	2+E	2+E	2+E
4.0	2	2	2	2	2	2	2	2+E	2+E	2+E	2+E	2+E	2+E	2+E	2+E	2+E	2+E
4.1	2	2	2	2	2	2	2	2+E	2+E	2+E	2+E	2+E	2+E	2+E	2+E	2+E	2+E
4.2	2	2	2	2	2	2	2+E	2+E	2+E	2+E	2+E	2+E	2+E	2+E	2+E	2+E	2+E
4.3	2	2	2	2	2	2+E	2+E	2+E	2+E	2+E	2+E	2+E	2+E	2+E	2+E	2+E	2+E
4.4	2	2	2	2	2+E	2+E	2+E	2+E	2+E	2+E	2+E	2+E	2+E	2+E	2+E	2+E	2+E
4.5	2	2	2	2	2+E	2+E	2+E	2+E	2+E	2+E	2+E	2+E	2+E	2+E	2+E	2+E	2+E

**LEGEND**

- 0 = NO PILOT REQUIRED
- 1 = ONE (1) PILOT REQUIRED FOR NIGHT TRAVEL
- 2 = TWO (2) PILOTS REQUIRED FOR NIGHT TRAVEL
- 2+E = TWO (2) PILOTS AND POLICE ESCORT REQUIRED FOR NIGHT TRAVEL

**Table 3: Pilots for Special Purpose Vehicles - Daytime Travel (not mobile cranes).**

Width	Length in metres (not exceeding)																
	19	20	21	22	23	24	25	26	27	28	29	30	31	32	33	34	35
3.5	0	0	0	0	0	0	0	1	1	1	1	1	2	2	2	2	2
3.6	1	1	1	1	1	1	1	1	1	1	1	2	2	2	2	2	2+E
3.7	1	1	1	1	1	1	1	1	1	1	1	2	2	2	2	2	2+E
3.8	1	1	1	1	1	1	1	1	1	1	2	2	2	2	2	2+E	2+E
3.9	1	1	1	1	1	1	1	1	1	1	2	2	2	2	2	2+E	2+E
4.0	1	1	1	1	1	1	1	1	1	2	2	2	2	2	2+E	2+E	2+E
4.1	1	1	1	1	1	1	1	1	1	2	2	2	2	2	2+E	2+E	2+E
4.2	1	1	1	1	1	1	1	1	2	2	2	2	2	2+E	2+E	2+E	2+E
4.3	1	1	1	1	1	1	1	1	2	2	2	2	2	2+E	2+E	2+E	2+E
4.4	1	1	1	1	1	1	1	2	2	2	2	2	2+E	2+E	2+E	2+E	2+E
4.5	1	1	1	1	1	1	1	2	2	2	2	2	2+E	2+E	2+E	2+E	2+E
4.6	2	2	2	2	2	2	2	2	2	2	2	2+E	2+E	2+E	2+E	2+E	2+E
4.7	2	2	2	2	2	2	2	2	2	2	2	2+E	2+E	2+E	2+E	2+E	2+E
4.8	2	2	2	2	2	2	2	2	2	2	2+E	2+E	2+E	2+E	2+E	2+E	2+E
4.9	2	2	2	2	2	2	2	2	2	2	2+E	2+E	2+E	2+E	2+E	2+E	2+E
5.0	2	2	2	2	2	2	2	2	2	2+E	2+E	2+E	2+E	2+E	2+E	2+E	2+E
5.1	2	2	2	2	2	2	2	2	2	2+E	2+E	2+E	2+E	2+E	2+E	2+E	2+E
5.2	2	2	2	2	2	2	2	2	2+E	2+E	2+E	2+E	2+E	2+E	2+E	2+E	2+E
5.3	2	2	2	2	2	2	2	2	2+E	2+E	2+E	2+E	2+E	2+E	2+E	2+E	2+E
5.4	2	2	2	2	2	2	2	2+E	2+E	2+E	2+E	2+E	2+E	2+E	2+E	2+E	2+E
5.5	2	2	2	2	2	2	2	2+E	2+E	2+E	2+E	2+E	2+E	2+E	2+E	2+E	2+E

**LEGEND**

- 0 = NO PILOT REQUIRED
- 1 = ONE (1) PILOT REQUIRED
- 2 = TWO (2) PILOTS REQUIRED
- 2+E = TWO (2) PILOTS AND POLICE ESCORT REQUIRED

WHERE LENGTH >35 METRES OR WIDTH >5.5 METRES, TWO (2) PILOTS AND POLICE ESCORT REQUIRED